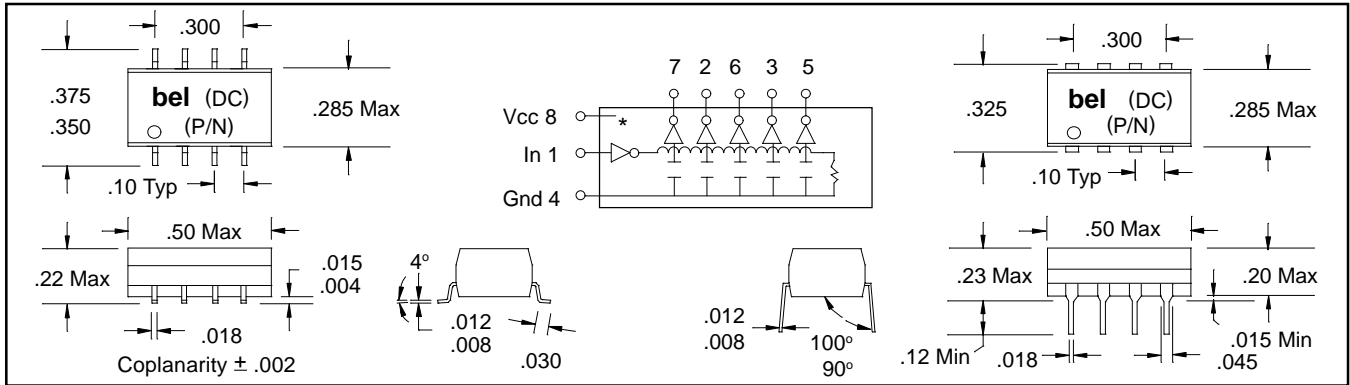




defining a degree of excellence

5 TAP LEADING EDGE CONTROL PRECISE DELAY MODULES

Cat 28-R2



Part Numbers

SMD	Thru-Hole	Total Delay	Delay per Tap	Rise Time
S493-0025-02	A493-0025-02	25 ns	5 ns	3 ns
S493-0030-02	A493-0030-02	30 ns	6 ns	3 ns
S493-0035-02	A493-0035-02	35 ns	7 ns	3 ns
S493-0040-02	A493-0040-02	40 ns	8 ns	3 ns
S493-0045-02	A493-0045-02	45 ns	9 ns	3 ns
S493-0050-02	A493-0050-02	50 ns	10 ns	3 ns
S493-0060-02	A493-0060-02	60 ns	12 ns	3 ns
S493-0070-02	A493-0070-02	70 ns	14 ns	3 ns
S493-0080-02	A493-0080-02	80 ns	16 ns	3 ns
S493-0090-02	A493-0090-02	90 ns	18 ns	3 ns
S493-0100-02	A493-0100-02	100 ns	20 ns	3 ns
S493-0125-02	A493-0125-02	125 ns	25 ns	3 ns
S493-0150-02	A493-0150-02	150 ns	30 ns	3 ns

Test Conditions @ 25°C

Ein	Pulse Voltage	3.2 Volts
Trin	Rise Time	3.0 ns (10%-90%)
PW	Pulse Width	1.2 x Total Delay
PP	Pulse Period	4 x Pulse Width
Iccl	Supply Current	35 ma Typical
Vcc	Supply Voltage	5.0 Volts

Electrical Characteristics

	Min.	Max.	Units	
Vcc	Supply Voltage	4.75	5.25	V
Vih	Logic 1 Input Voltage	2.0		V
Vil	Logic 0 Input Voltage		0.8	V
Ioh	Logic 1 Output Current		-1	ma
Iol	Logic 0 Output Current		20	ma
Voh	Logic 1 Output Voltage	2.7		V
Vol	Logic 0 Output voltage		0.5	V
Vik	Input Clamp Voltage		-1.2	V
Iih	Logic 1 Input Current		20	ua
Iil	Logic 0 Input Current		-0.6	ma
Ios	Short Circuit Output Current	-60	-150	ma
Icch	Logic 1 Supply Current		25	ma
Iccl	Logic 0 Supply Current		40	ma
Ta	Operating Free Air Temperature	0°	70°	C
PW	Min. Input Pulse Width of Total Delay	40		%
d	Maximum Duty Cycle		50	%
Tc	Temp. Coeff. of Total Delay (TD)	100 + (25000/TD) PPM/°C		

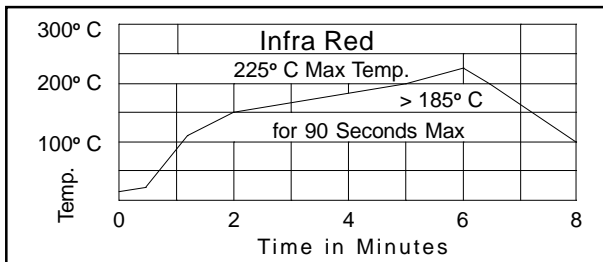
Tolerances

Input to Taps ± 1 ns or 3 % , Whichever is Greater
 Delays measured @ 1.5 V levels on Leading Edge only
 with no loads on Taps
 Rise and Fall Times measured from 0.75 V to 2.4 V levels

Drive Capabilities

Nh	Logic 1 Fanout	-	20 TTL Loads Max.
Nl	Logic 0 Fanout	-	10 TTL Loads Max.

Recommended Temperature Profile



Notes

Transfer molded for better reliability
 Compatible with TTL & DTL circuits
 Terminals: Electro-Tin plate phosphor bronze
 Performance warranty is limited to specified parameters listed
 SMD - Tape & Reel available:
 24mm Wide x 12mm Pitch, 750 pieces per 13" reel

**Other Delays and Tolerances Available
Consult Sales**

Specifications subject to change without notice.

Corporate Office
 Bel Fuse Inc.
 198 Van Vorst Street, Jersey City, NJ 07302-4496
 Tel: 201-432-0463
 Fax: 201-432-9542
 E-Mail: BelFuse@belfuse.com
 Internet: http://www.belfuse.com

Far East Office
 Bel Fuse Ltd.
 8F/8 Luk Hop Street
 San Po Kong
 Kowloon, Hong Kong
 Tel: 852-2328-5515
 Fax: 852-2352-3706

European Office
 Bel Fuse Europe Ltd.
 Preston Technology Management Centre
 Marsh Lane, Preston PR1 8UD
 Lancashire, U.K.
 Tel: 44-1772-556601
 Fax: 44-1772-888366